



- ABS hand held enclosure for data acquisition and instrumentation
- With integrated battery compartment
- Version with or without display opening
- Prepared for acceptance of keypads
- 2 depth variants
- Optional EMC version with internal coating

#### **Included in delivery**

5-piece enclosure with top and base, battery compartment, battery compartment cover, head and shaft surround, fixing and enclosure screws. Open version incl. display screen and punched seal.

#### **Technical data**

##### **Material:**

ABS

##### **Ingress protection:**

IP 40, EN 60529

##### **Disruptive strength:**

24 KV/mm to DIN 53481

##### **Surface resistance:**

4 x 10<sup>14</sup> Ohm to DIN 53482

##### **Flammability:**

HB nach UL 94

##### **Temperature range:**

-40°C to +80°C

##### **Colour:**

green-blue, similar to RAL 5020

# Taguan 130

## Programme range

Enclosure type	Order No.	Version	Dimensions	Weight (kg)
			W x L x H (mm)	
Taguan 130 FO	27.01 02 00	flat, open	80/70 x 125 x 36,7	0,08
Taguan 130 FG	27.01 02 01	flat, closed	80/70 x 125 x 36,7	0,085
Taguan 130 TO	27.01 02 10	deep, open	80/70 x 125 x 46,7	0,085
Taguan 130 TG	27.01 02 11	deep, closed	80/70 x 125 x 46,7	0,09



### Electromechanical and electronic components

Upon request we can supply enclosures ready equipped with electromechanical and electronic components such as display, chipcard-acceptor, interface modules etc.

## Accessories

Battery holder 4 micro-cells (AAA)	27.01 02 80
Battery holder 9 V Monoblock	27.01 02 81
Clip	27.01 02 82
Keypad FT 130b, 12 matrix printed keys	82.10 00 01
Keypad FT 130e, 12 matrix keys with plug in unit	82.01 00 02
Surround in enclosure colour	27.01 02 85
Surround transparent	27.01 02 86
Surround for infrared	27.01 02 87
Spare display screen set	27.01 02 88
Spare screw set	27.01 00 90
Scratch resistant display screen	on request
Push-button and switches see page 55 - 60	on request

## Component mounting options

Component options	Type T130 FO	Type T130 FG	Type T130 TO	Type T130 TG
Display max. view area 45 x 17,4 mm max. mounting dimensions 65 x 29 mm	•		•	
Chipcard reader in head section	•	•	•	•
Scanner	•	•	•	•
PCMCIA slot	•	•	•	•
D-Sub interface 9-pin	•	•	•	•
D-Sub interface 15-pin	•	•	•	•
9V battery	•	•	•	•
4 R3 micro-cells (AAA)	•	•	•	•
1. PCB (main board)	•	•	•	•
2. PCB (adapter board)	•	•	•	•
Membrane keypad	•	•	•	•

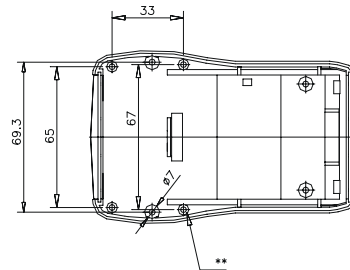
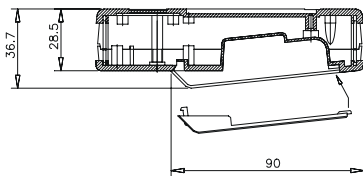
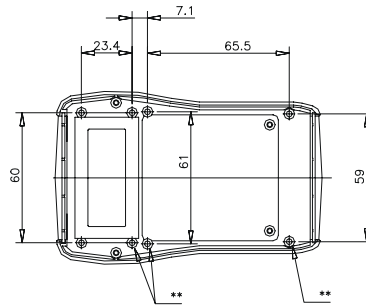
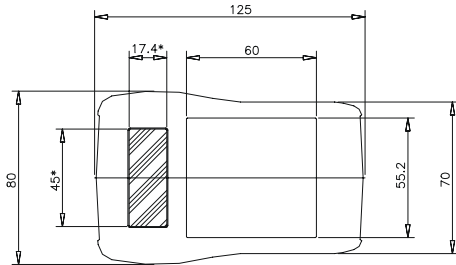
Dimensions



Type	Version	Order No.
Taguan 130 FO	flat, open	27.01 02 00
Taguan 130 FG	flat, closed	27.01 02 01

(max. PCB size of displays ca. 65 x 29 mm)

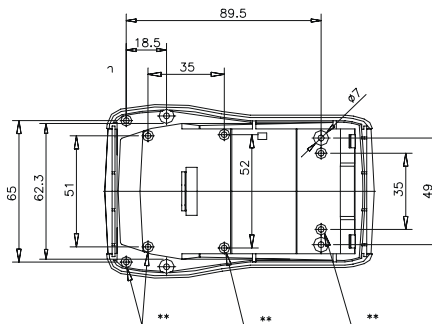
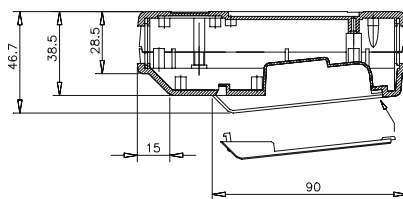
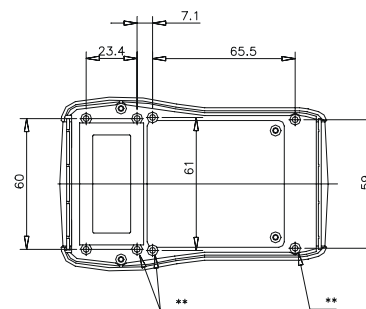
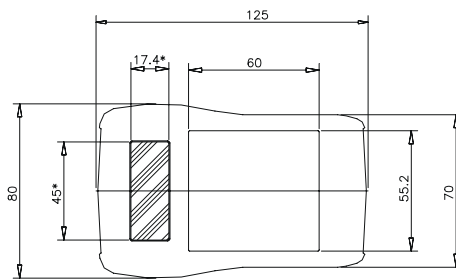
Free dimension tolerance to DIN 16901-110  
 \* = Open version  
 \*\* = PCB mounting boss (screw 2.5 x 5)



Type	Version	Order No.
Taguan 130 TO	deep, open	27.01 02 10
Taguan 130 TG	deep, closed	27.01 02 11

(max. PCB size of displays ca. 65 x 29 mm)

Free dimension tolerance to DIN 16901-110  
 \* = Open version  
 \*\* = PCB mounting boss (screw 2.5 x 5)



# Taguan 130

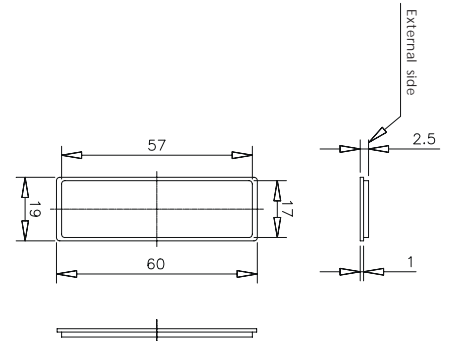
## Accessories



**Cover**  
for use as head or shaft cover

Version	Order No.
in enclosure colour	27.01 02 85
transparent clear	27.01 02 86
for infrared	27.01 02 87

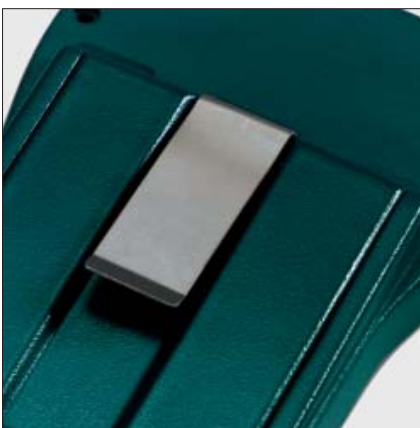
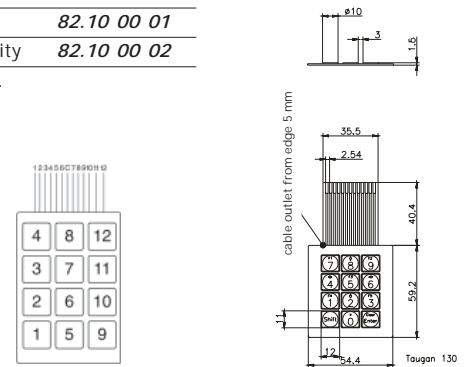
Units per pack: 1 pc



**Membrane keypads**  
12 keys, printed version or plain with insertion facility for custom inscription

Type	Version	Order No.
FT T130b	Matrix printed	82.10 00 01
FT T130e	Matrix with insertion facility	82.10 00 02

Customized membrane keypads on request.



**Clip**  
Metal clip to snap onto battery compartment lid  
Order No. 27.01 02 82



**Battery holder**  
for mounting in the bottom part, for 4 micro-cells R03 side by side or connection contact for 9 V battery

Version	Order No.
for R03 micro-cells	27.01 02 80
for 9 V battery	27.01 02 81